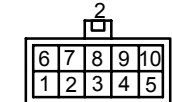
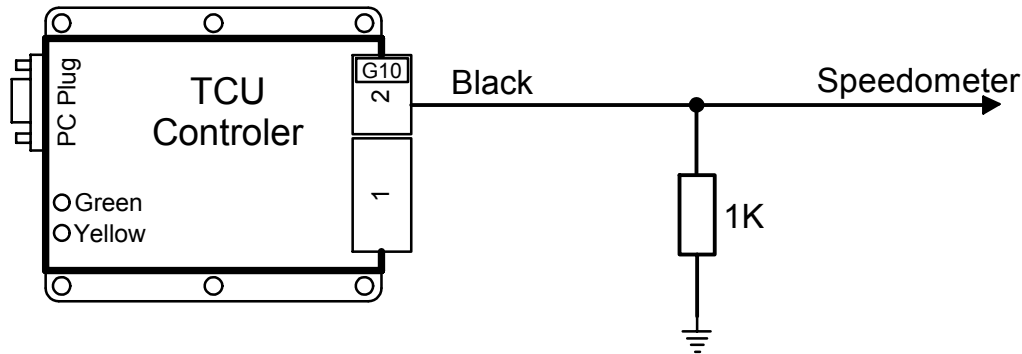


Speedometer Connection

Harness Required: G10

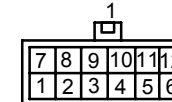
Last Changed: 06/05/2011

NB. Intermediate TCU Required



Harness Pin View

- 1. Blue Gearbox
- 2. NC
- 3. Red Gearbox
- 4. NC
- 5. Blue Mode LED +
- 6. Green Gearbox
- 7. Black Speedometer
- 8. Yellow Gearbox
- 9. Brown +12V Relay Supply
- 10. Red Lock-Up LED +



Harness Pin View

- 1. Blue Down Shift Button
- 2. Yellow TPS Signal 0V to 5V
- 3. Black Profile SW
- 4. NC
- 5. NC
- 6. Green RPM Pulse
- 7. Red Up Shift Button
- 8. Red Shifter Position SW
- 9. NC +5V Out
- 10. Red +12V Supply In
- 11. Red Speed Sensor
- 12. NC

To calibrate the speedometer you must first put GP output 1 on speed and use the minimum value to calibrate the speedometer to your road speed.

General Purpose Outputs

Output 1

- RPM
- Speed
- TPS
- Oil Temp
- Gear
- Shifter
- Mode
- Off

Min Max

Output 2

- RPM
- Speed
- TPS
- Oil Temp
- Gear
- Shifter
- Mode
- Off

Min Max